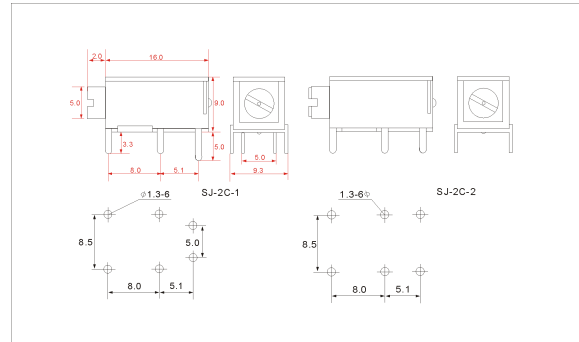
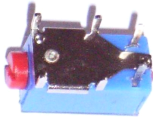


ME Attenuation

MODEL: **SJ-2C**



Specifications

可变衰减器规格书 SPECIFICATIONS OF VARIABLE ATTENUATOR			
1. 电气性能 ELECTRICAL			
NO.	项目 Item	条件 Conditions	规格 Specifications
1.1	阻抗匹配值 Impedance	输出阻抗/输入阻抗之匹配 Output/Input impedance	75 Ohms
1.2	反射损耗 Reflection Loss	<300 MHz <550 MHz <860 MHz	< 18 < 16 < 14
1.3	最大衰减量 Maximal attenuation	反时针转到底时测定 Test at full C.C.W. position	20 dB ± 2dB 10 dB ± 2dB
1.4	最小衰减量 Minimal attenuation	顺时针转到底时测定 Test at full C.W. position	< 0.5 dB
2. 机械性能 MECHANICAL			
NO.	项目 Item	条件 Conditions	规格 Specifications
2.1	全回转圈数 Total rotation turns	逆时针底端位置, 依顺时针方向旋转到底部, 轴的总回转圈数 From full C.W position the shaft total rotation turns.	4.5 ± 0.5 圈(turns)
2.2	回转转矩 Rotation torque	回转速度 60° /秒 Rotation speed 60° /1sec.	50gf-cm 以下(MAX)
2.3	轴之回转止动强度 Axis stopper strength	顺时针转到底时测定 Test at full C.W. position	800gf-cm 以上(MIN)
2.4	端子强度 Terminal strength	於端子加 500gf-cm ,10 ± 5 秒 After on application of 500gf-cm for 10 ± 5 sec with terminals.	无明显之松动及接触不良之情形发生 No evidence of poor contact between resistance element and terminals or any physical damage.
2.5	焊锡耐热性 Resistance to soldering heat.	温度 300℃ 以下, 时间 3 秒以内 Less than 300℃ and quicker than 3 sec.	无明显之松动及接触不良之情形发生 No evidence of poor contact between resistance element and terminals or any physical damage.
3. 耐久性能 RELIABILITY TEST			
NO.	项目 Item	条件 Conditions	规格 Specifications
3.1	回转寿命 Rotation life		来回 200 次以上 More than 200 times of back and forth.
This information given is only for product description and is not legally binding. Any changes will be in the interests of technical improvement.			

Position	1	2	3	4	5	6	7	8	9	10	11
PART NUMBER	S	J	-								

4 **Install mode**
 1=Vertical
 2=Horizontal

8 **The color of the plastic housing**
 1=Blue
 2=Black
 3=Green
 4=Light green

5 **Adjustable range**
 1=0~10dB
 2=0~15dB
 3=0~20dB

9 **Shaft's color**
 1=Red
 2=Blue
 3=Green
 4=Yellow
 5=Light green

6 **Shaft's length**
 1=2mm
 2=5mm

10 **the length of the output and input terminal**
 1=5mm

7 **Turns in all, End stop/lock-free**
 1=4.5 turns, lock-free

11 **Shaft's diameter**
 1=5.0mm

NOTES: